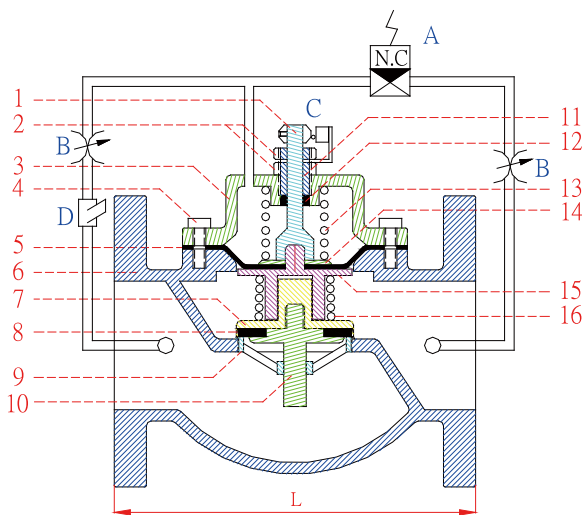




PUMP CONTROL VALVE

- ▶ Perfectly prevents water hammer effect.
- ▶ Pump Control Valve = Pump's Variable Drive + Check Valve + Water Hammer Arrester. No need to use “Inverter Duty Motor” and save costs.
- ▶ Speed of valve opening and closing are adjustable upon request.
- ▶ Simple installation and outstanding function.
- ▶ Piston design structure resists high pressure and makes maintenance & replacement easy.
- ▶ It is convenient to clean the impurities inside valve gate from the cleaning plug.

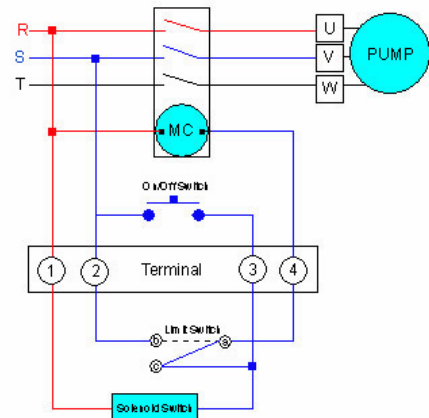


No.	Size	L	CV	Weight(kg)
RPF-50	2"	190	30	14
RPF-65	2.5"	210	85	18
RPF-80	3"	225	95	19
RPF-100	4"	250	150	26
RPF-150	6"	310	320	52
RPF-200	8"	420	750	115
RPF-250	10"	530	1400	150
RPF-300	12"	650	2200	200

	Cast Iron	Ductile Iron	Bronze	Stainless Steel
Testing Pressure	24kg/cm ²	30kg/cm ²	24kg/cm ²	38kg/cm ²
Working Pressure	16kg/cm ²	20kg/cm ²	16kg/cm ²	25kg/cm ²

▶ Applied temperature: -15° ~ 80°C

No	Part Name	Material	
1.	Positioning Shaft	Brass	Stainless Steel
2.	Screw Nut	Steel	Stainless Steel
3.	Upper Cover	Ductile Iron / Bronze	Stainless Steel
4.	Cover Fixing Bolt	Steel	Stainless Steel
5.	Diaphragm	CR Rubber + Nylon	CR Rubber + Nylon
6.	Main Body	Ductile Iron / Bronze	Stainless Steel
7.	Gate	Ductile Iron / Bronze	Stainless Steel
8.	Sealing	NBR	NBR
9.	Seat	Bronze	Stainless Steel
10.	Gate Shaft	Bronze	Stainless Steel
11.	Fixing Ring	Bronze	Stainless Steel
12.	U-ring	NBR / Viton	NBR / Viton
13.	Back Pressure Spring	Stainless Steel	Stainless Steel
14.	Washer	Brass	Stainless Steel
15.	Shaft	Ductile Iron / Bronze	Stainless Steel
16.	Gate Spring	Stainless Steel	Stainless Steel
A.	Solenoid Valve	Bronze	Stainless Steel
B.	Flow Control Valve	Bronze	Stainless Steel
C.	Limit Switch	Normal Type	Normal Type
D.	Filter	Bronze	Stainless Steel



Power Distribution Chart